

LSP3

Try the impossible to achieve
the possible.

Hermann Hesse



NEW IDEAS ARE BEST PRODUCED SYSTEMATICALLY: OUR NEW STANDARD PROGRAMME L.SP3

L.SP3	LÜBBERING Standard Programme 3rd generation	8-9
L.SP3 system	Fastening system with all L.SP3 components	10-11
L.SP3 access	Geared offset head – standard design	12-17
L.SP3 access inline	Geared offset head – inline design	18-21
L.SP3 access straight	Geared offset head – straight design	24-25
L.SP3 touch	Output socket gear	26-27
L.SP3 connect	Mounting flange reaction torque return ring indexing adapter	30-31
L.SP3 angle	Angle head & angle head stand-alone – 90° 110°	32-37
L.SP3 angle HD	Angle head 90° – Hold & Drive	38-39
L.SP3 angle touch	Bit holder profiles and flush sockets	40-41
L.SP3 x-connect	Axial adapter for drive machines with LÜBBERING angle head	42
L.SP3 connect	Adapter for drive machines with integrated angle head	43
L.SP3 special	Special solutions for different application areas	50-57
L.SP3 solution	L.SP3 Projecting set L.SP3 configurator Fastening accessories	64-73

**WE ARE NOT LOOKING FOR A FASTENING SOLUTION –
WE ARE LOOKING FOR AN INDIVIDUAL SOLUTION FOR YOU.**



PURSUING DEVELOPMENTS, DEVELOPING SUCCESSES. THAT'S HOW WE KEEP ON MAKING PROGRESS.

LÜBBERING STANDARD PROGRAMME – THE STORY

LÜBBERING offers you expertly designed and intelligently conceived products and solutions. That's how it's been since the very beginning and that's how it still is today. We constantly strive to think through everything we do and perfect it – so that you will continue to benefit.

- 1984** The first LÜBBERING geared offset head
- 1989** LÜBBERING standard programme – Generation 1
- 1999** LÜBBERING standard programme – Generation 2
- 2014** LÜBBERING standard programme – Generation 3 (**L.SP3**)
- 2015** Red Dot Award 2015
- 2016** IF Design Award 2016
- 2017** **L.SP3** on the LÜBBERING ShowTruck **raum für ideen**, live at your premises
- 2018** **L.SP3** Projecting sets for a better product choice



LSP3



reddot award 2015
honourable mention

LÜBBERING STANDARD PROGRAMME – GENERATION 3

Modular configuration, ingeniously flexible and highly precise: **L.SP3** offers a whole new level of performance in every detail – to enhance the efficiency of your processes.

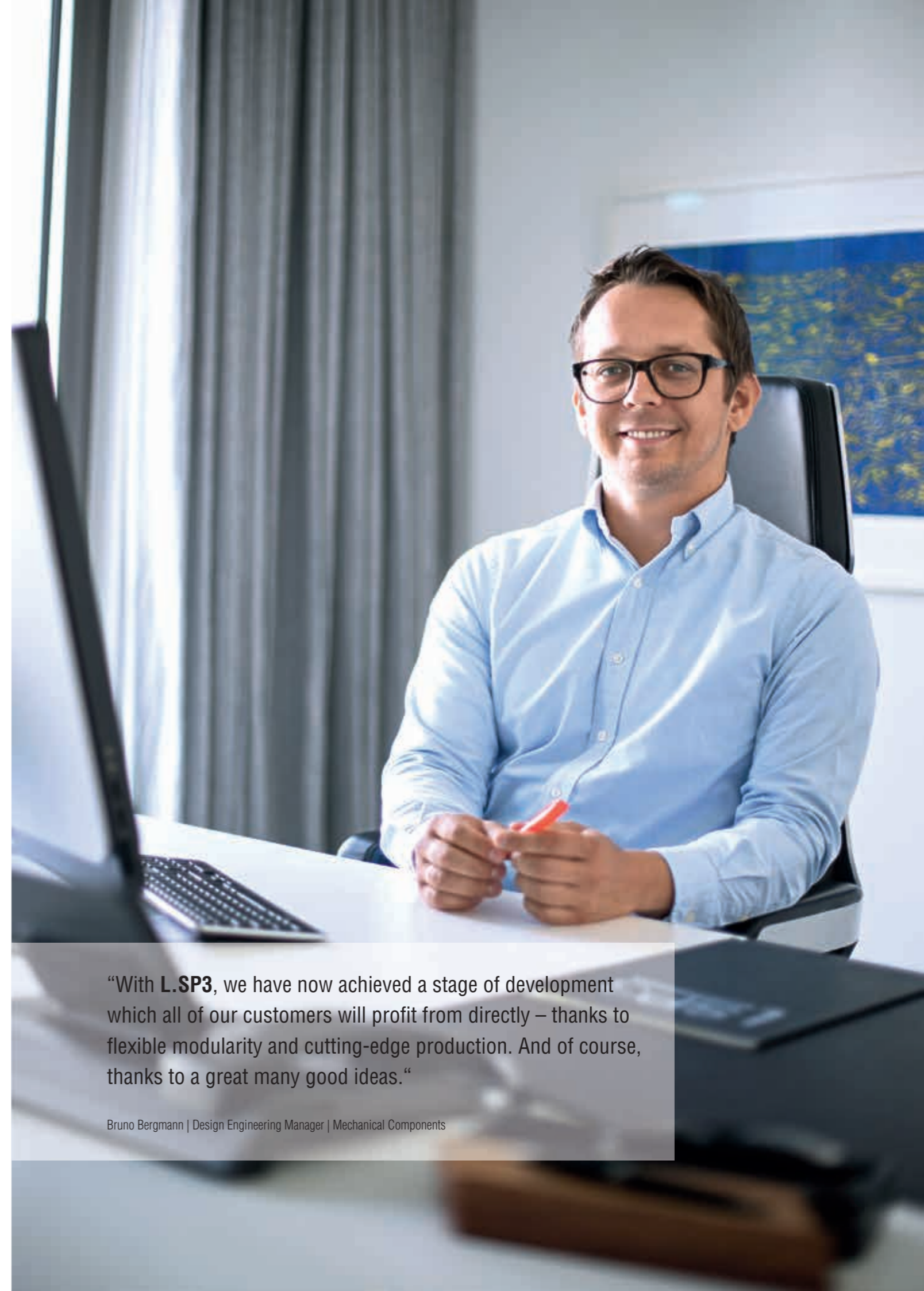
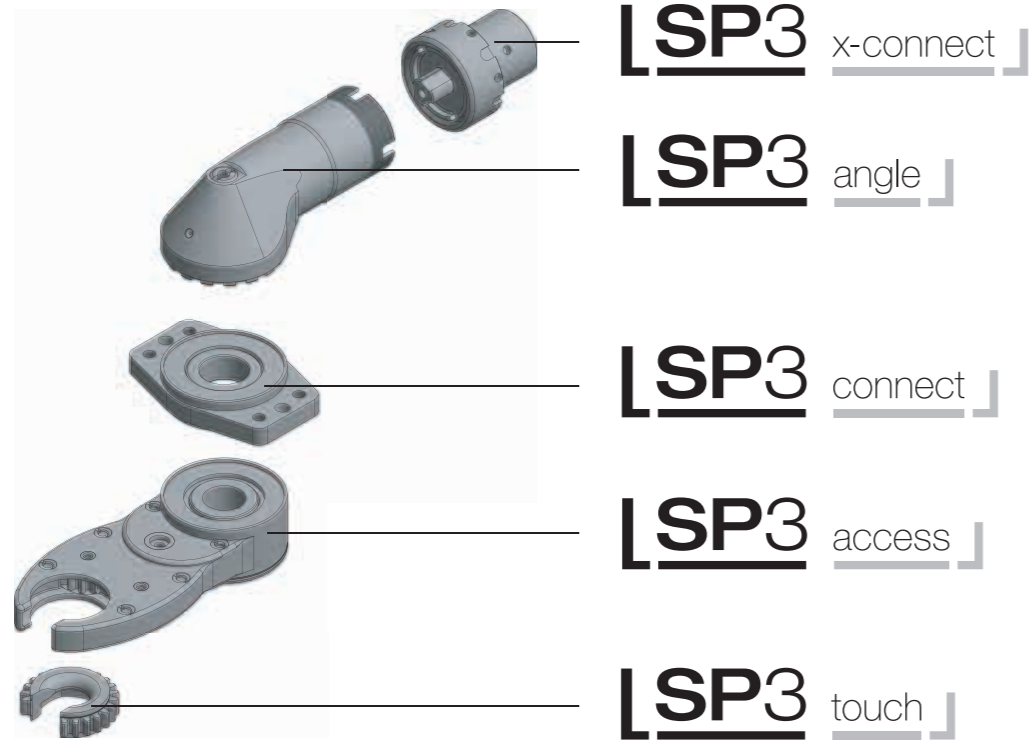
- + ACCURATE** Process reliability through higher levels of accuracy
- + COMPACT** Improved ergonomics through compact design
- + MODULAR** Higher flexibility through modular construction
- + EFFICIENT** Cost savings from easy maintenance

WE KNOW THE BEST WAY TO OPTIMISE A SYSTEM: SYSTEMATICALLY.

L.SP3 system denotes a fastening system with all **L.SP3** components. We'd like to present your options here to enable you to choose the components for your fastening system that match the fastening application you require. Read about the benefits of the new standard programme on the following pages.

- + Individually combinable
- + Configured for every application
- + Optional additional components
- + Wide range of variations possible thanks to modular system
- + Environmentally-friendly production
- + High availability and easy maintenance

LSP3 system



“With **L.SP3**, we have now achieved a stage of development which all of our customers will profit from directly – thanks to flexible modularity and cutting-edge production. And of course, thanks to a great many good ideas.“

Bruno Bergmann | Design Engineering Manager | Mechanical Components



EXCEPTIONALLY ERGONOMIC ACCESS. SO YOU CAN REACH MORE.

Geared offset heads grant you access to screw connections in hard-to-reach places and transfer the desired torque which is needed to make the screw connection.

A closed geared offset head is required to fasten nuts and bolts, while an open geared offset head is necessary to fasten pipes and hoses.

L.SP3 access are the geared offset heads in our new standard programme.

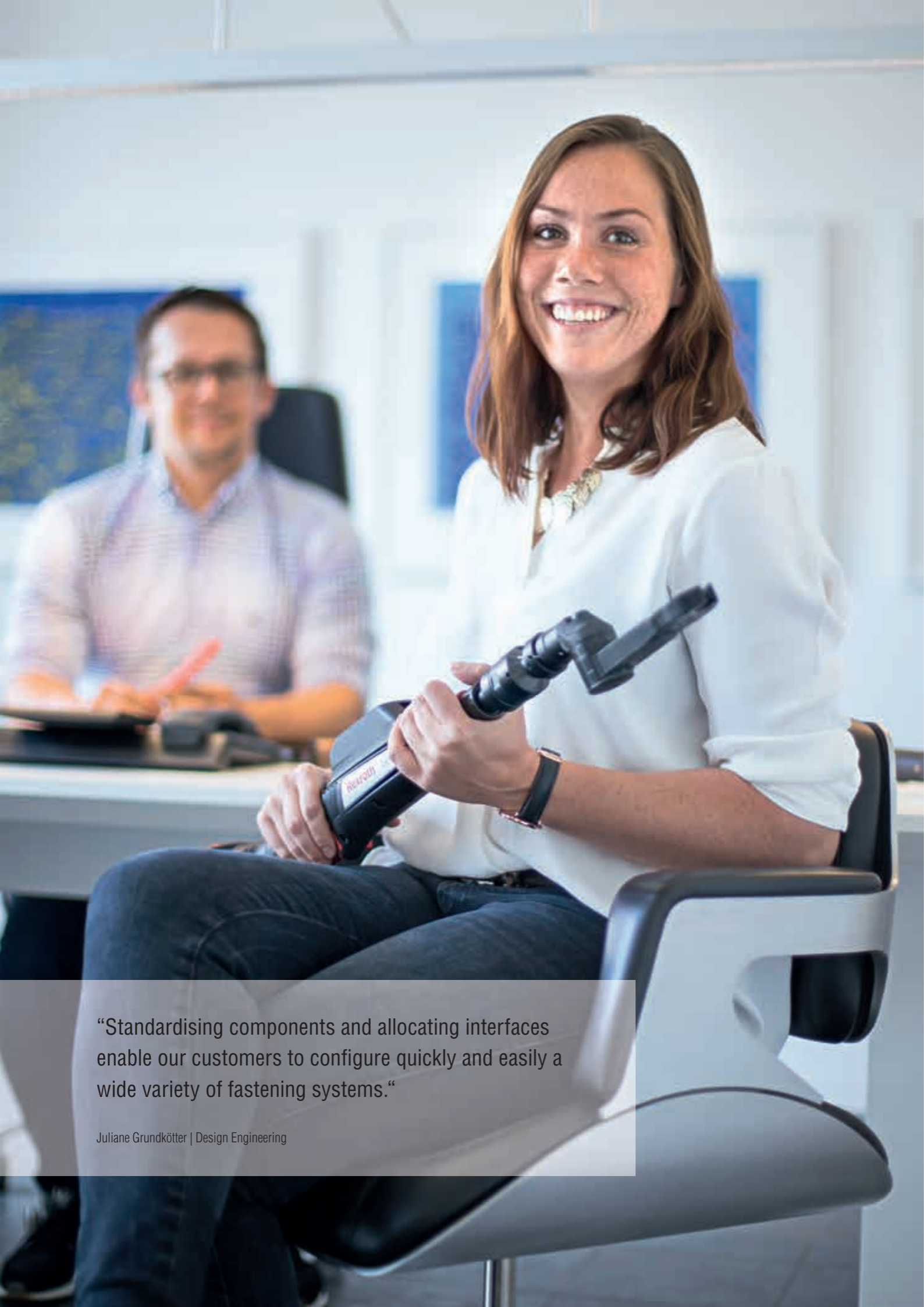
- + Highest accuracy of $\pm 6\%$ (closed design)
- + Uniform housing for all types of interfaces
- + Compact design: optimised ergonomics
- + Highly modular
- + Uniform housing for rotation direction left/right (open design)



“**L.SP3** combines our previous geared offset head series into a flexible and up-to-date standard programme.“

Johannes Petermann | Design Engineering










L.SP3 access geared offset heads are available in standard or inline designs, with various output torques (1 - 207 Nm), in various lengths (2, 3, 4 or 6 gear stages) as well as in open and closed designs.





Furthermore, it consists of a uniform housing shape for all types of interfaces – for both closed and open geared offset head designs. This homogeneity makes it easy to expand the fastening system by adding extra components. The impressive number of product variations is the result of the various combinations of a small number of standardised component assemblies.

The strengths of **L.SP3 access** include the transmission of torques with highest accuracy of $\pm 6\%$ as well as the transmission of high torques in the smallest possible designs.

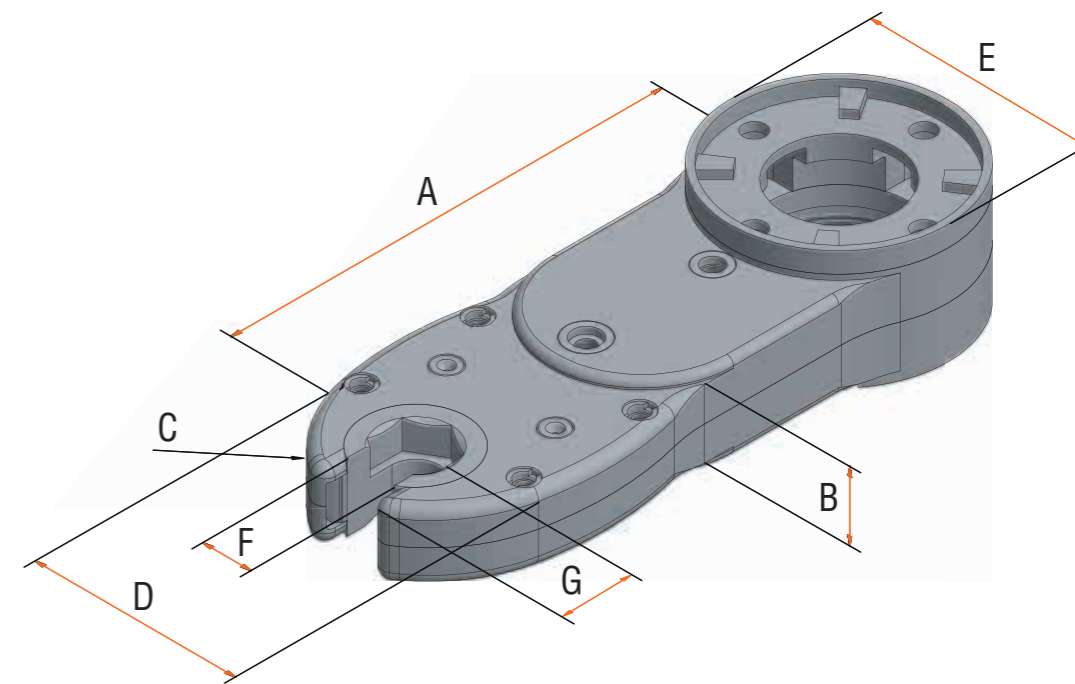
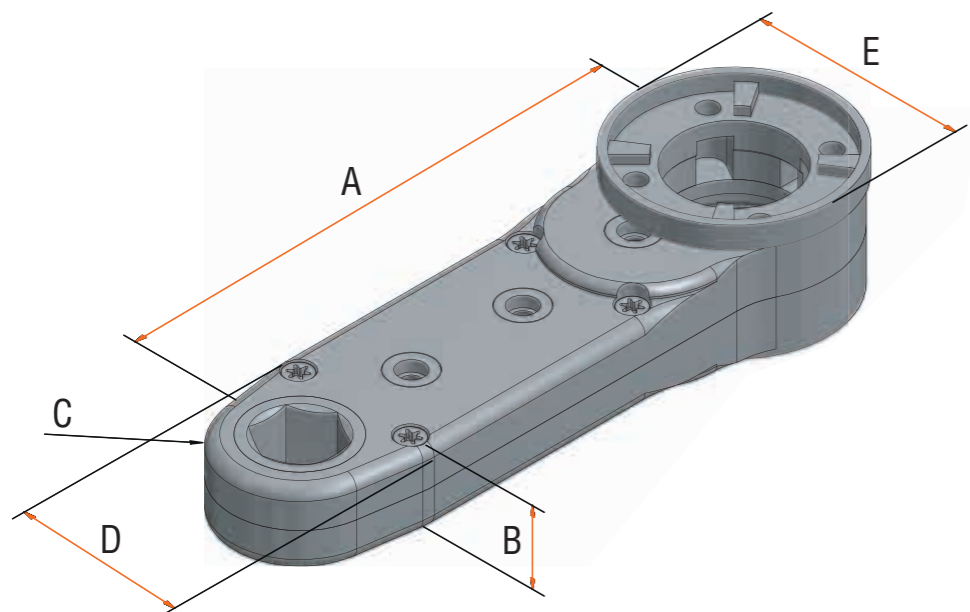
“Standardising components and allocating interfaces enable our customers to configure quickly and easily a wide variety of fastening systems.”

Juliane Grundkötter | Design Engineering

 Module	12	22	35	55	85	140	190	250
Maximum input torque [Nm]	12	22	35	55	85	140	190	250
Maximum output torque [Nm]								
2-stage 	10	18	29	46	71	116	158	207
3-stage 	9	17	27	43	66	109	148	195
4-stage 	9	16	26	40	62	102	139	182
6-stage 	8	15	24	37	–	–	–	–

 Module	12	22	35	55	85	140	190	250
Maximum input torque [Nm]	–	22	35	55	85	140	190	–
Maximum input torque [Nm]								
2-stage 	–	17	27	43	66	109	148	–
3-stage 	–	16	26	40	62	102	139	–
4-stage 	–	15	24	37	58	95	129	–





Module	12	22	35	55	85	140	190	250
Dimensions								
A [mm]	25 – 111	35 – 130	35 – 164	43 – 171	51 – 138	62 – 130	71 – 149	83 – 205
B [mm]	9 – 15	10 – 15	10 – 16	14 – 18	17 – 25	26 – 32	29 – 37	20 – 32
C [mm]	8 – 11	8 – 13	10 – 15	13 – 16	15 – 20	18 – 20	19 – 22	25 – 30
D [mm]	15 – 24	17 – 29	22 – 33	30 – 37	38 – 42	41 – 43	43 – 45	44 – 45
E [mm]	27	32	37	45	50	58	65	73
max. AF [mm]	8 – 10	8 – 13	10 – 14	13 – 16	16 – 21	18 – 20	18 – 24	27 – 36



Module	12	22	35	55	85	140	190	250
Dimensions								
A [mm]	–	24–63	29–78	33–108	38–122	44–124	60–139	–
B [mm]	–	10–12	11–14	11–18	12–18	18–19	20	–
C [mm]	–	14–21	13–34	16–40	19–63	18–21	24	–
D [mm]	–	32–33	38–40	42–55	53–60	58–60	77–79	–
E [mm]	–	32	37	45	50	58	65	–
F [mm]	–	7–8	7–9	10–13	12–16	14–17	18–21	–
G [mm]	–	10	11–14	12–17	15–19	16–21	22–27	–
max. AF [mm]	–	11	13–14	14–19	17–23	19–23	26–30	–





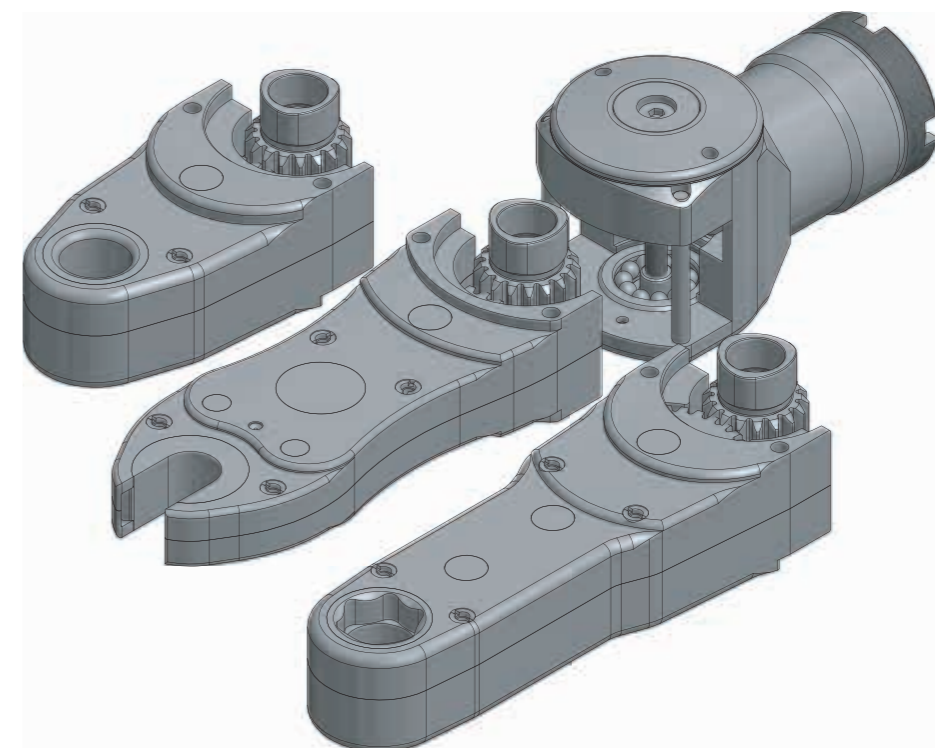
“For the assembly of our fastening systems we need a lot of skill and patience. And this is what our team has.”

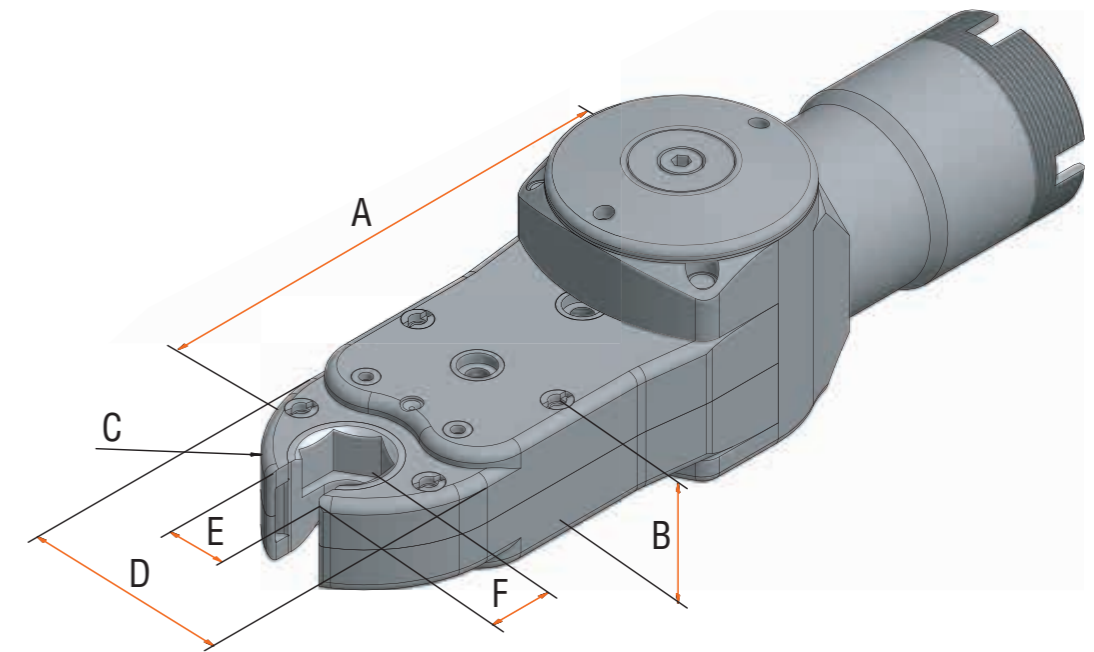
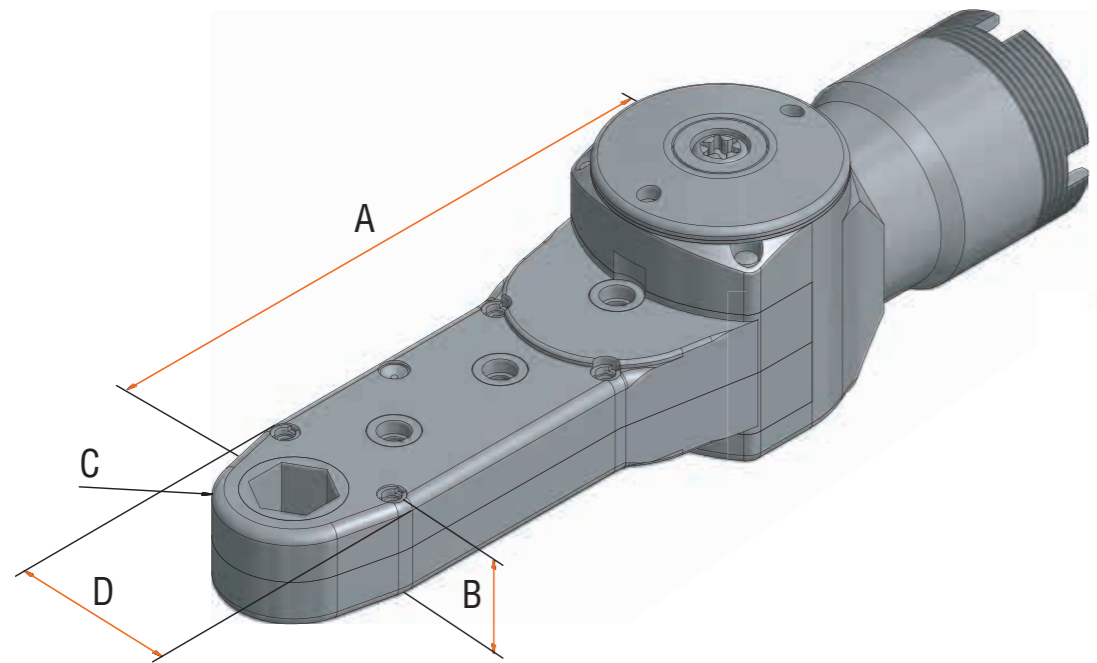
André Lange | Assembly Manager

IMPRESSIVELY WIDE RANGE OF APPLICATIONS. ESPECIALLY WHEN THINGS GET TIGHT.

L.SP3 access inline features a straight-lined design which improves the accessibility of screw connections in very tight spaces. The highlight of **L.SP3 access inline** is that the drive modules are interchangeable. They come in three lengths which can be used as needed.

- + **Separable housing**
 - + **Simple assembly**
 - + **Wide range of variations**
- Open design:
- + **Uniform housing for rotation direction left/right**
- Closed design:
- + **Uniform housing for the upward/downward installation direction for offset heads with counter units**





Module	12	22	35	55	85	140	190	250
Dimensions								
A [mm]	30 – 70	37 – 128	44 – 104	50 – 110	56 – 136	111 – 145	112 – 156	90 – 197
B [mm]	9 – 15	11 – 14	11 – 20	15 – 18	17 – 25	26 – 32	29 – 37	20 – 32
C [mm]	8 – 11	10 – 13	13 – 15	14 – 15	15 – 20	18 – 20	19 – 22	25 – 30
D [mm]	21 – 26	24 – 32	30 – 34	31 – 35	36 – 42	41 – 42	43 – 45	51 – 64
max. AF [mm]	8 – 10	10 – 13	13 – 15	15 – 17	16 – 21	18 – 21	18 – 24	27 – 36



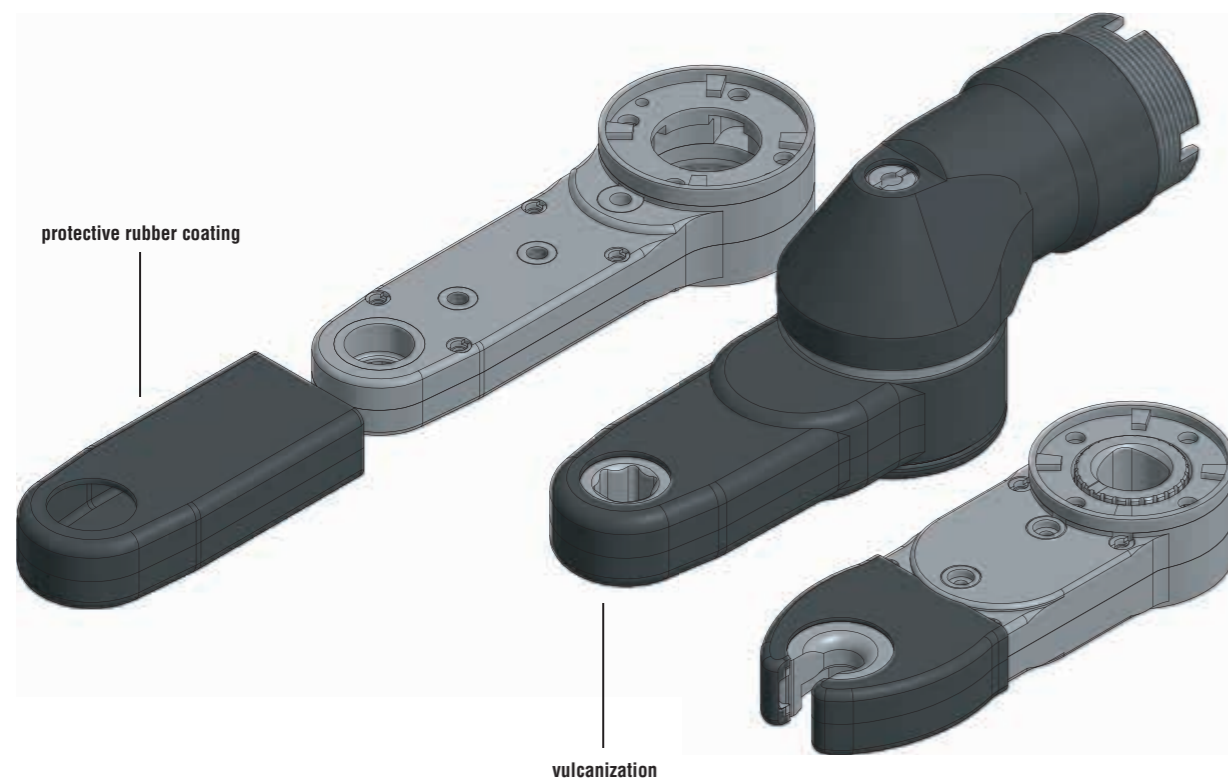
Module	12	22	35	55	85	140	190	250
Dimensions								
A [mm]	–	40 – 70	51 – 75	51 – 116	63 – 118	73	96 – 149	–
B [mm]	–	10 – 14	12 – 17	11 – 18	12 – 18	19	20	–
C [mm]	–	13	14	14 – 17	–	18	24	–
D [mm]	–	32 – 39	39 – 51	42 – 55	50 – 59	58	77 – 79	–
E [mm]	–	7 – 8	7 – 9	10 – 13	12 – 17	14	18 – 21	–
F [mm]	–	9 – 12	11 – 15	12 – 15	15 – 19	17 – 28	22 – 27	–
max. AF [mm]	–	11 – 13	13 – 14	14 – 19	17 – 23	19	26 – 30	–



ALWAYS PERFECTLY COATED AND PROTECTED.

A protective rubber coating or a vulcanization protects the components to be fastened and adjoined from damages. Both protection variants consist of silicone-free rubber.

- + Protects against damages and scratches
- + Silicone free rubber
- + Protective coating can be removed or changed
- + Vulcanization offers permanent protection of the fastening system



“With our **L.SP3** configurator, you can put together a fastening system for your own requirements without having to be an expert. Highly precise, with maximum flexibility and great performance density in a small space.“

Alexander Westmeyer | Design Engineering



“I am proud to have taken part in the **L.SP3** development process.”

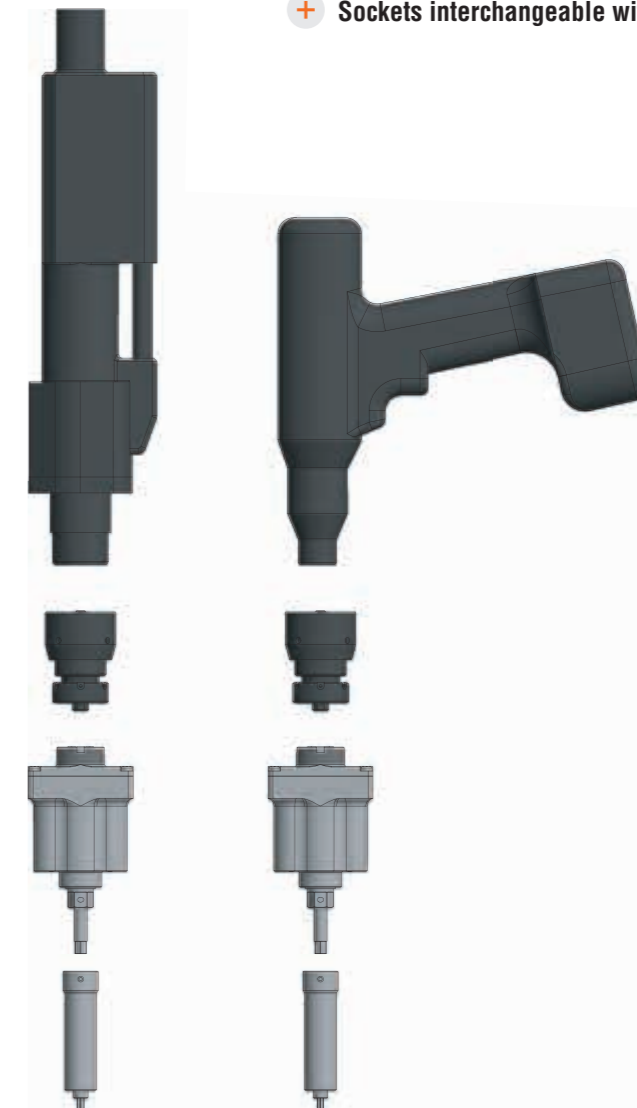
Nicole Hornschuh | Design Engineering



OUR SOLUTIONS ENSURE CONVENIENT ACCESS – WHICH OTHERS HAVEN'T EVEN REACHED YET.

L.SP3 access straight gives you easy access to hard-to-reach screw connections with a holder function (Hold & Drive). As a complete solution, the axial output with holder is connected with an axial adapter to a pistol grip machine or screw driver.

- + Primary application in the aerospace industry
- + Connected to pistol grip machine or screw driver via axial adapter L.SP3 x-connect
- + Output in threaded axle
- + Highest accuracy of $\pm 5\%$
- + Sockets interchangeable with holder



TREND-SETTING IN EVERY FORM.

L.SP3 touch are the output socket gears for our new standard programme. We offer you a wide range of output socket profiles for various fastening applications.

The rotation direction to be blocked must be set according to the desired output direction of rotation (right or left rotating) and the direction of installation (upward or downward offset) of the out-put socket gear. In principle, all output socket gears can be operated in both directions of rotation.

- + Installation direction regardless of design
- + Large selection of standard profiles
- + Fastening with right of left rotation
- + Available in different lengths



OUTPUT SOCKET PROFILES			
	HEX Hexagon profile		SD Square drive
	DH Double hex		Torx E
	AF Width across flats		Torx TX
	BH Bit-holder		IVZ Triple square profile, female
	SFD Surface drive		AVZ Triple square profile, male
	DSD Diagonal S drive		2flach Two-flat
	PF Pathfinder		Oktagon Octagon
	NH Nut holder		DIN 5480 DIN 5480 Plug-in gearing



**L.SP3 SETS THE NEW STANDARD IN FASTENING
TECHNOLOGY – MADE IN HERZEBROCK.**

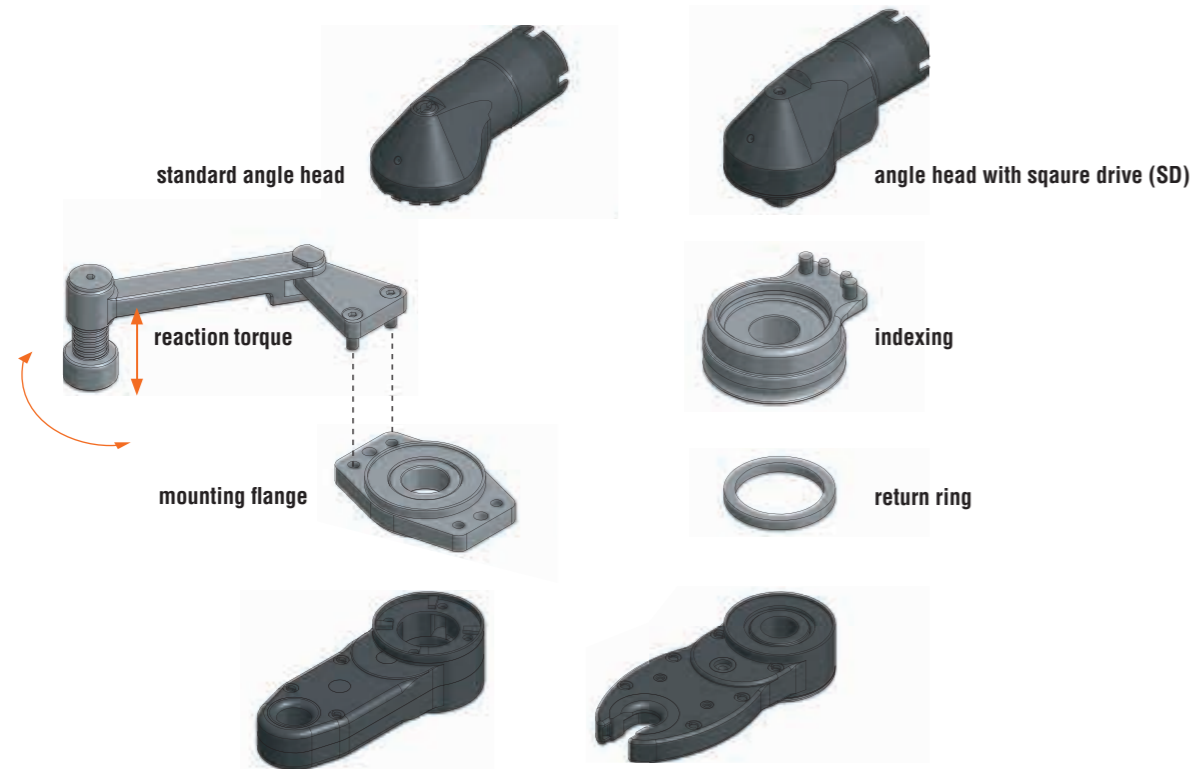




IDEAL COMBINATIONS: MORE EFFICIENCY THROUGH OPTIONAL COMPONENTS.

L.SP3 connect refers to the optional connection elements which make your fastening system even more efficient.

- + **Mounting flange** enables additional accessories to be attached (such as a reaction torque) in conjunction with a standard angle head
- + **Reaction torque** offers additional equilibrium of forces as of 60 Nm
- + **Return ring** allows resetting in both rotation directions, only for open design
- + **Indexing** allows you to adjust the angle of a geared offset head/angle head; 360° swivel range; in conjunction with a stand-alone angle head



TOTALLY ADJUSTABLE INDEXING: 360 DEGREE ROTATION.



Module	12	22	35	55	85	140	190	250
Adjustable degree indexing	12.9°	11.3°	9.5°	7.8°	7.5°	6.2°	7.2°	6.4°



EXTREMELY COMPACT, UNIQUELY ERGONOMIC.

L.SP3 angle is the perfect ergonomic addition to the **L.SP3 access** geared offset head. **L.SP3 angle** is an angle head which serves to improve access to screw connections, thus improving work ergonomics. The angled heads are available in 90° and 110° as needed and serve to redirect the rotational movement and change the torque and rotation speed between the drive unit and the geared offset head. The uniform interfaces of the components can easily be connected with **L.SP3 access** geared offset heads without a separate adapter.

- + **Compact design:**
optimised ergonomics
- + **Reduced installation size:**
low installation height in conjunction with **L.SP3 angle**
- + **Reduced weight:**
thanks to the omission of an adapter
- + **Versions in 90° and 110°**
- + **Easy maintenance**
- + **Two transmission ratios as standard available**
i= 1.45 | i = 2.0



“It is all based on an extremely high-grade material made of refined black steel. It already feels great during the assembly process.”

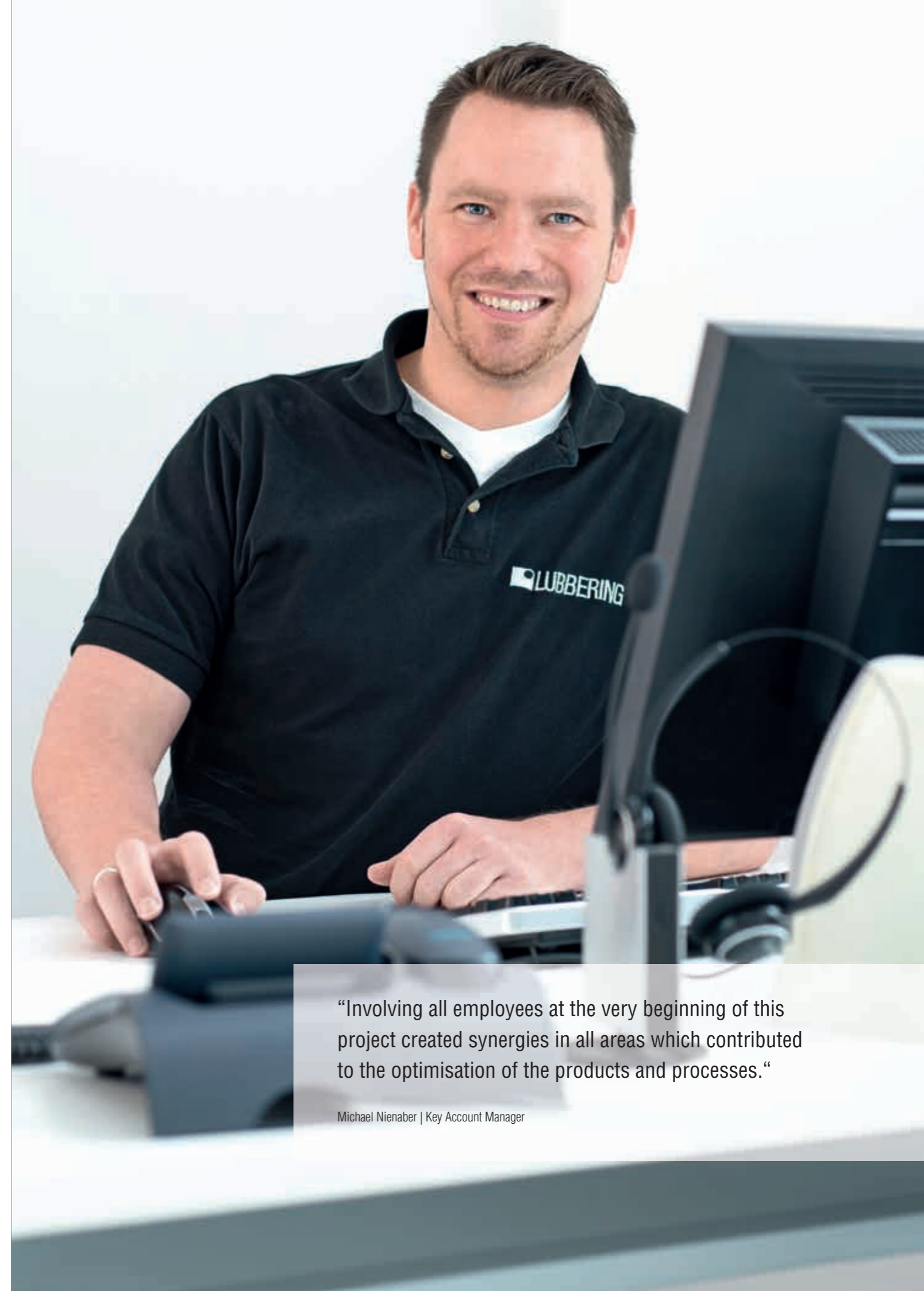
Ralf Berheide | Assembly



SELF-CONTAINED, PRECISE AND READY-TO-USE.

L.SP3 angle as a stand-alone tool has the same function as angle heads do as components, except that there is no geared offset head. All that has to be done is to attach conventional sockets.

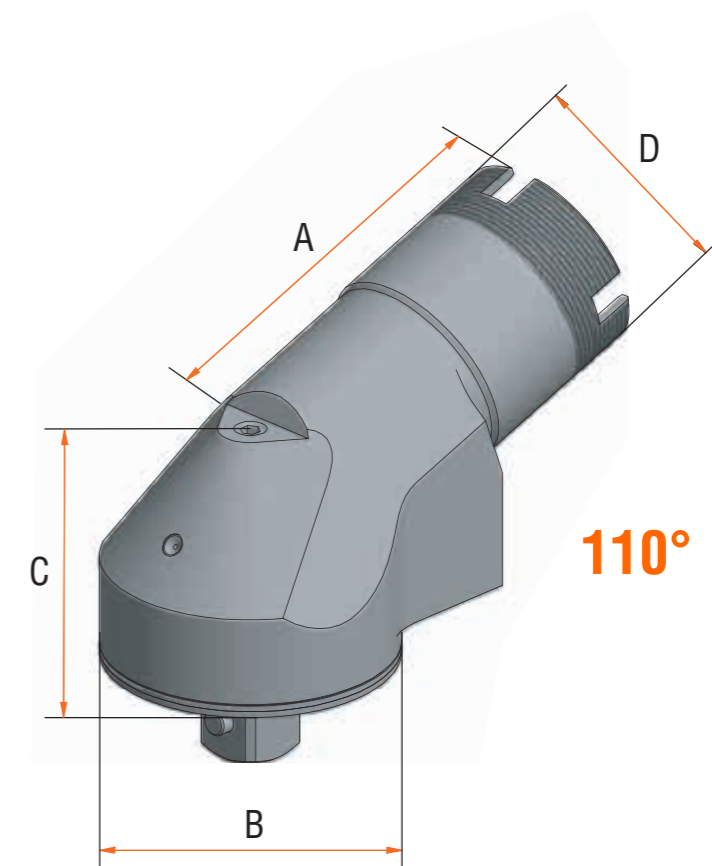
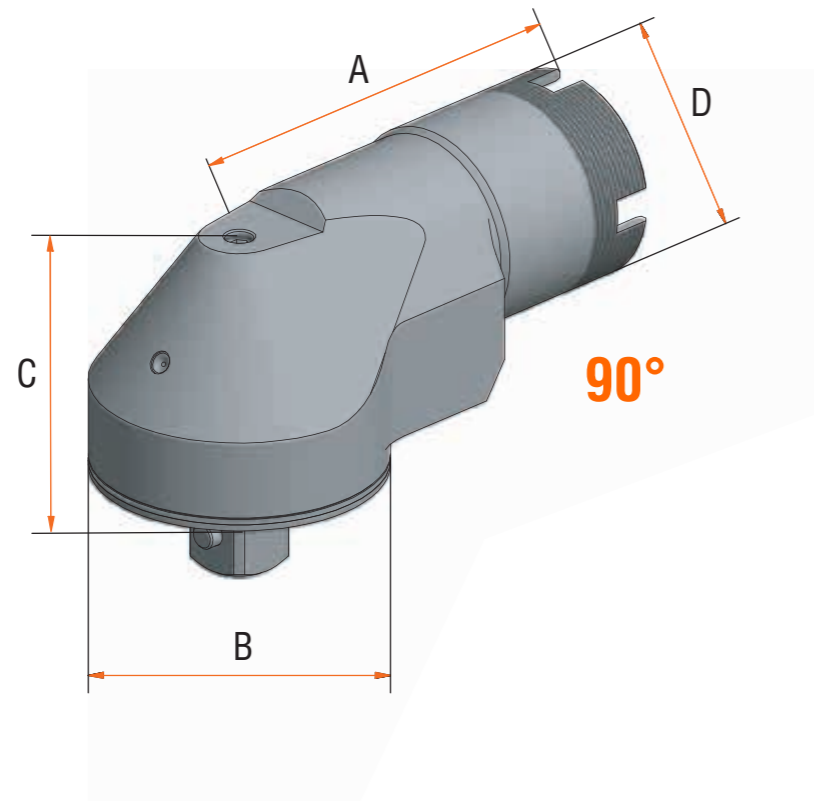
- + Compact design
- + Torque transmission with highest accuracy of $\pm 4\%$
- + Highly efficient
- + Versions in 90° and 110°
- + Two transmission ratios as standard available
 $i = 1.45$ | $i = 2.0$



“Involving all employees at the very beginning of this project created synergies in all areas which contributed to the optimisation of the products and processes.”

Michael Nienaber | Key Account Manager





Module	12	22	35	55	85	140	190	250
<i>Dimensions</i>								
A [mm]	50	51	60	77	78	96	103	109
B [mm]	26	31	35	42	50	56,5	65	72,5
C [mm]	27	30	33	41	44	47	51	52
D [mm]	22	28	30	36	36	48	52	58
max. AF [mm]	1/4" 3/8"	3/8"	3/8" 1/2"	3/8" 1/2"	1/2"	1/2"	1/2" 3/4"	3/4" 1"

Module	12	22	35	55	85	140	190	250
<i>Dimensions</i>								
A [mm]	44	45	53	68	69	84	91	97
B [mm]	26	31	35	42	50	56,5	65	72,5
C [mm]	24	29	31	37	43	47	51	52
D [mm]	22	28	30	36	36	48	52	58
max. AF [mm]	1/4" 3/8"	3/8"	3/8" 1/2"	3/8" 1/2"	1/2"	1/2"	1/2" 3/4"	3/4" 1"

Module	i	12	22	35	55	85	140	190	250
Maximum input torque [Nm]	1.45	9	16	26	41	64	105	143	188
Maximum input torque [Nm]	2.0	6	12	18	29	45	74	100	132
Maximum output torque [Nm]		12	22	35	55	85	140	190	250

i = transmission ratio

Module	i	12	22	35	55	85	140	190	250
Maximum input torque [Nm]	1.45	9	16	26	41	64	105	143	188
Maximum input torque [Nm]	2.0	6	12	18	29	45	74	100	132
Maximum output torque [Nm]		12	22	35	55	85	140	190	250

i = transmission ratio



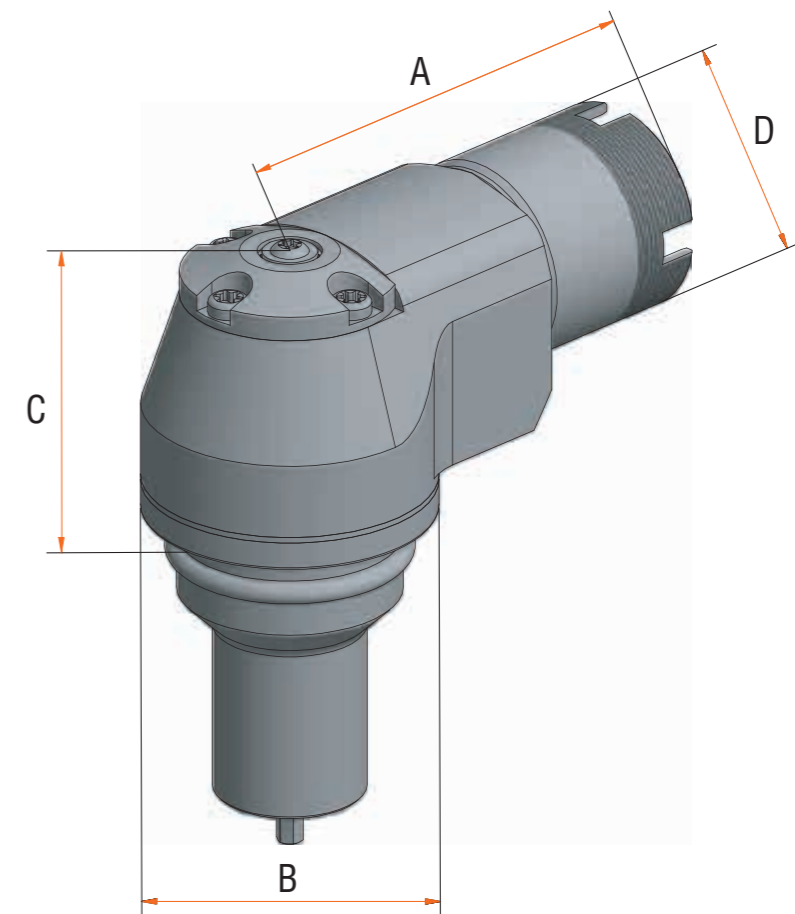


EVERYTHING HAS TO FIT TOGETHER PERFECTLY, SO WE ADJUST OUR WORK TO MATCH YOURS PRECISELY.

L.SP3 angle HD is an angle head with a hollow polygon shaft that accommodates various holder systems. This angle head comes with an outer hexagon that can take different nuts.

The perfect solution for fastenings requiring the bolt to be fixed in order to avoid twisting while the nut is fastened.

- + Compact design
- + Installing various holders and sockets
- + Torque transmission with highest accuracy level of $\pm 4\%$
- + Transmission ratio $i=2.0$



Module	12	22	35	55	85	140	190	250
<i>Dimensions</i>								
A [mm]	-	51	60	77	78	96	103	109
B [mm]	-	31	35	42	50	57	65	73
C [mm]	-	36	39	47	49	59	62	67
D [mm]	-	28	30	36	36	48	52	58

Module	i	12	22	35	55	85	140	190	250
Maximum input torque [Nm]	2.0	-	12	18	29	45	74	100	132
Maximum output torque [Nm]		-	22	35	55	85	140	190	250

i=transmission ratio

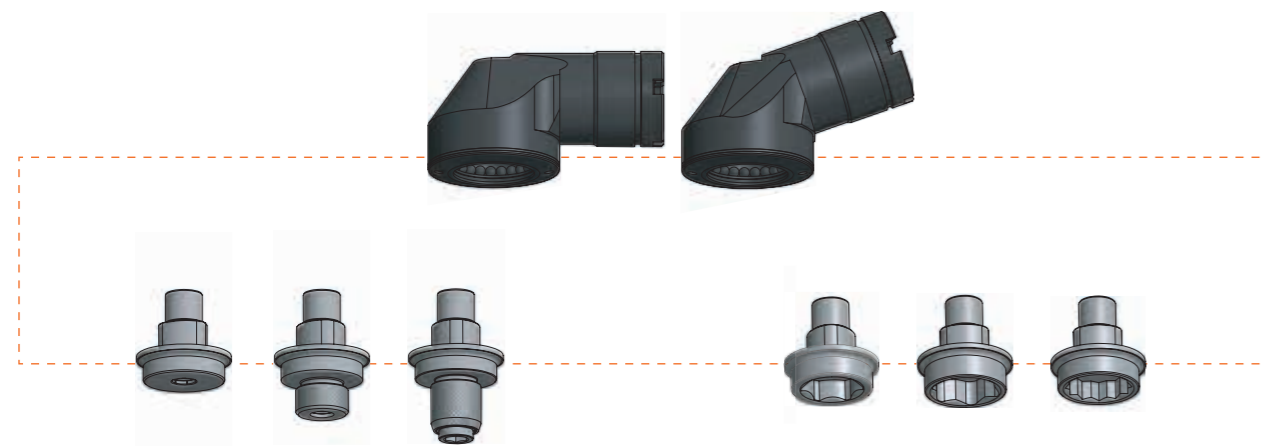


FLEXIBLE. INTERCHANGEABLE. VERSATILE.

L.SP3 angle touch is the ideal complement to the L.SP3 angle as a stand-alone tool. Bit holder profiles are available in the 90° and 110° versions with three different bit holding systems: locking ring, cap nut or quick-change.

Another advantage of L.SP3 angle is the individual use of flush sockets. These nuts with a flush profile are available with various output profiles and profile depths. Thus, they ensure for every application – depending on the maximum width across flats and profil depth – the perfect solution.

- + 3 different bit holding systems
- + Torque transmission with highest accuracy level of $\pm 4\%$
- + High availability
- + Interchangeable outputs
- + Versions in 90° and 110°
- + Two transmission ratios as standard available $i=1.45$ | $i=2.0$



bit holder profiles

locking ring, cap nut or quick-change

flush sockets

sockets with flush or protruding end, available with various output profiles and profile depths



“With our cutting-edge production methods, we here in Herzebrock have created an entirely new standard in fastening technology.”

Eduard Boos | Production



SIMPLY ASSEMBLE THE PARTS WHICH BELONG TOGETHER: OUR FASTENING SYSTEM WITH ANY DRIVE MACHINE.

L.SP3 x-connect is an axial adapter which is used if the fastening system, including a LÜBBERING angle head, is connected to a drive machine. In this way, the mechanical connection between the LÜBBERING fastening system and the drive unit is created.

- + Connection of a wide range of drive units
- + Compact design guarantees low weight
- + Optionally available with integrated planetary gearbox



ALWAYS PERFECTLY CONNECTED: DRIVE MACHINES WITH ANGLE HEAD.

L.SP3 connect is an adapter to connect the LÜBBERING geared offset head with a non-LÜBBERING angle head. By the fact that we create designs of any customary propulsion technology, we are able to configure and to equip those with our geared offset heads.

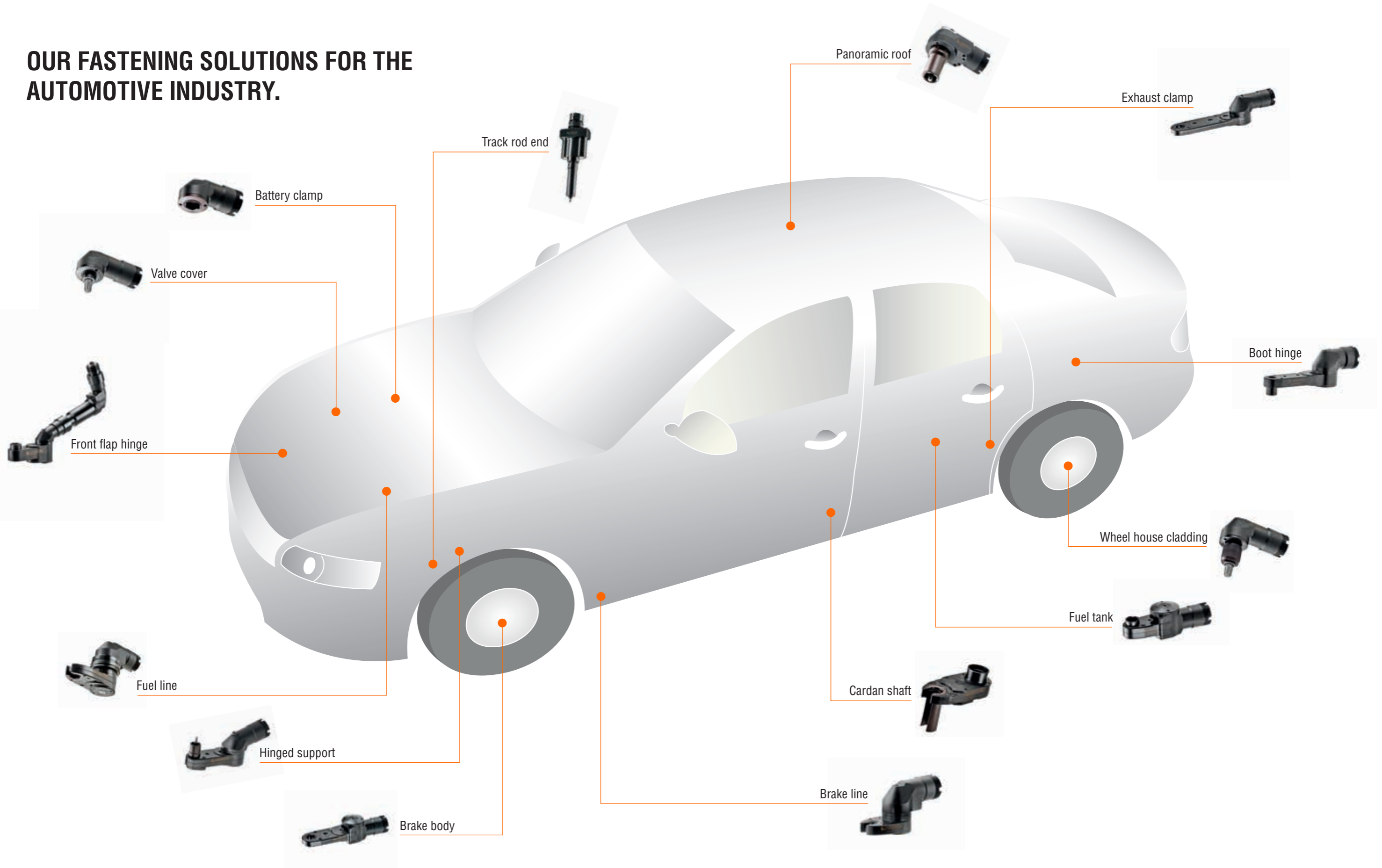
- + Standardised adapter interfaces
- + Screw, clamp or welding adapters can be used depending on angle head design

It is not only possible to adapt the items to angle and straight screwdrivers but also to propulsion technology in automated assembly lines.

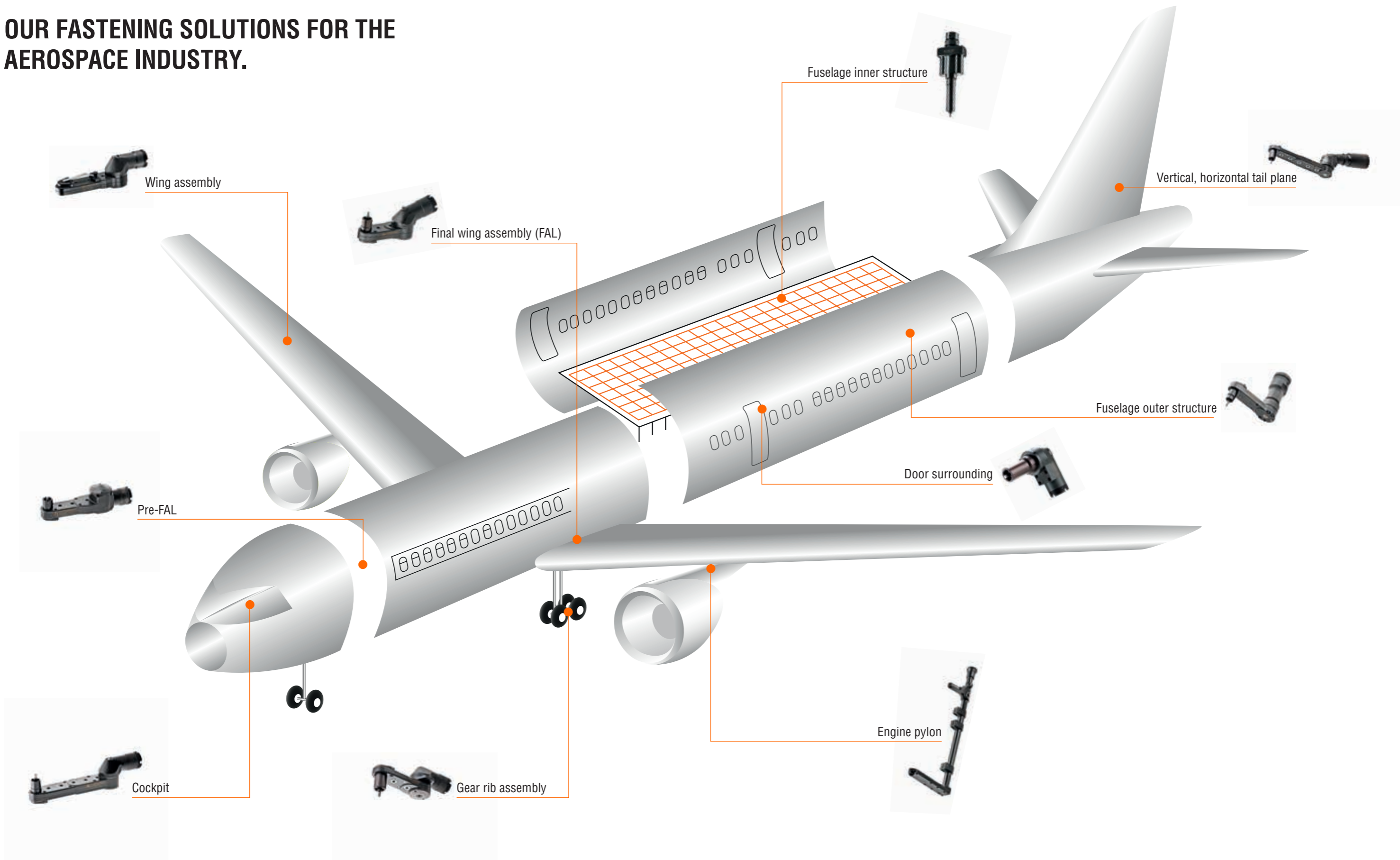




OUR FASTENING SOLUTIONS FOR THE AUTOMOTIVE INDUSTRY.



OUR FASTENING SOLUTIONS FOR THE AEROSPACE INDUSTRY.





OUR FASTENING SOLUTIONS FOR THE AEROSPACE INDUSTRY.

The assembly of aeronautical components require a special fastening technique. A large part of this process involves the use of the Hold & Drive fastening system. The fastening quality can only be guaranteed if the counter-holder system of the geared offset head holds the bolt while the geared offset head fastens the nut. The high

complexity of the components combined with confined spaces and the high demand of the assembly ergonomics make LÜBBERING flexible fastening solutions indispensable. Particularly indexable adaptations create the required flexibility.

L.SP3 touch
DSD7/16"-SW1/8"-AL19 H

L.SP3 angle 35-002 110°

L.SP3 access C-35-006



The modularity of L.SP3 allows various combinations within the fastening system. Output gears and counter-holder can be integrated. These fastening systems can be additionally equipped with counter-holder plates and counter-holder waves.

During the hold & drive fastening process, the spring loaded counter holder wave is able to cushion the fastening process. Interchangeable counter-holder bits which are integrated within the counter-holder wave can be selected according to the used connector sizes.

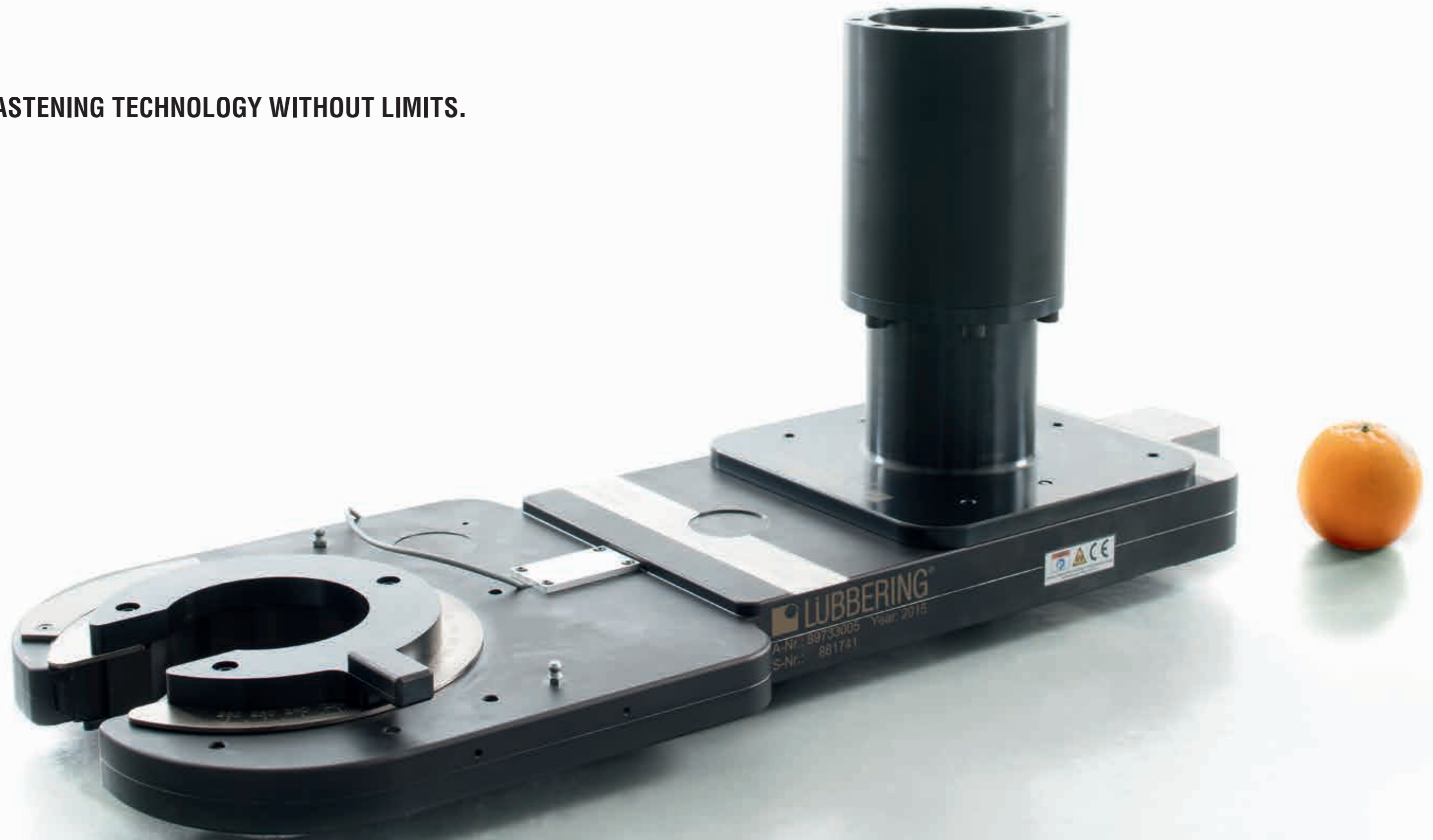


counter-holder bit
in start position

counter-holder bit
in end position

During this process the nut is turned on the bolt and the counter-holder wave moves vertically against the fastening direction up to its end position.

FASTENING TECHNOLOGY WITHOUT LIMITS.





WE ALWAYS FIND A SOLUTION FOR EVERY FASTENING SITUATION – FASTENING WITH PASSION.

LÜBBERING develops, designs and produces individual fastening solutions for almost every possible fastening application whether at a car or aeroplane, in shipbuilding, for white goods or in other areas of application. In areas where the conventional standard fastening tool is not

sufficient, special solutions are needed – solutions made by LÜBBERING. We offer development and production but also services from implementing up to maintenance – everything from one source.



L.SP3 special access C-0-2511

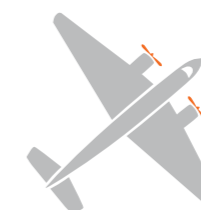
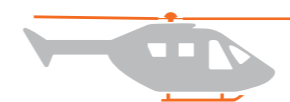
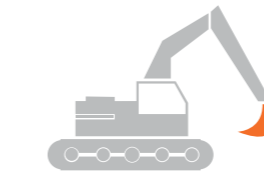


L.SP3 special access C-22-004



L.SP3 special access C-0-8420

APPLICATION AREAS

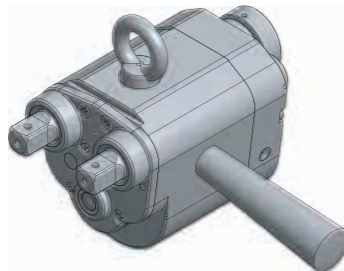




YOUR FASTENING PROBLEM IS OUR CHALLENGE.



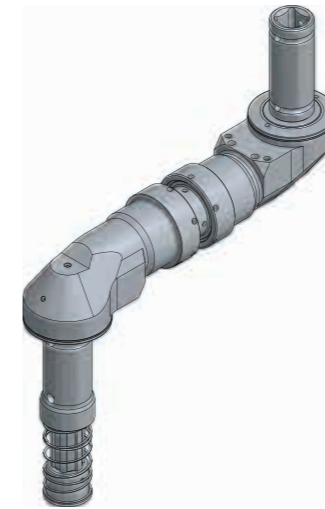
+ Assembly of turbines



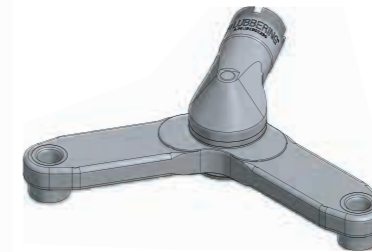
+ Exhaust pipe bracket fastening, differential gear



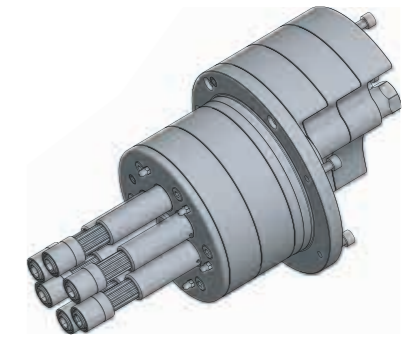
+ Assembly of electric motors



+ Angled spring-loaded work piece holder



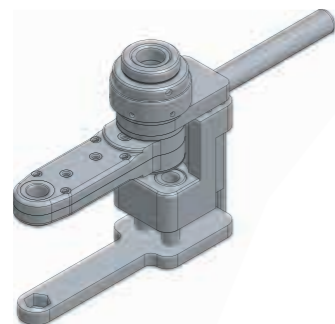
+ Rear seatbelt left/right



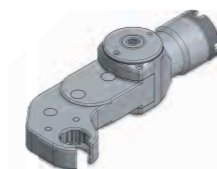
+ Flywheel on motor



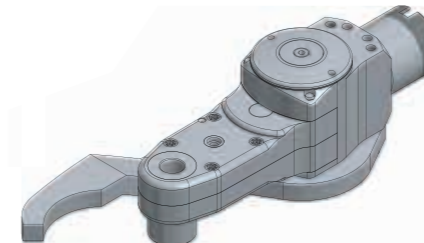
+ Gearbox fastening



+ Frame fastening caravan



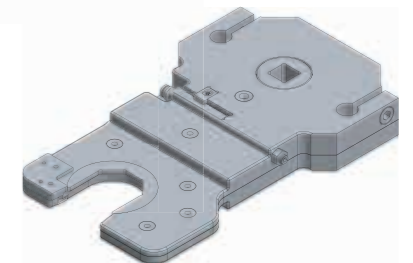
+ Breakline on ESP



+ Servomotor fastening



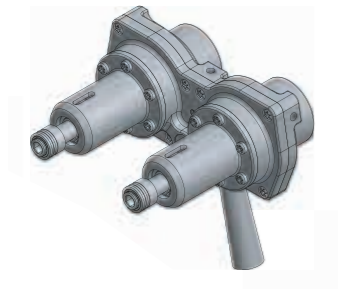
+ Door hinges in B-pillar



+ Fuel injector fastening



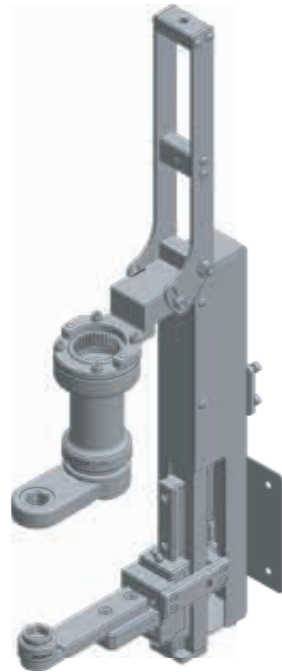
ANYTHING IS POSSIBLE.



+ Break caliper fastening



+ Turbine fastening



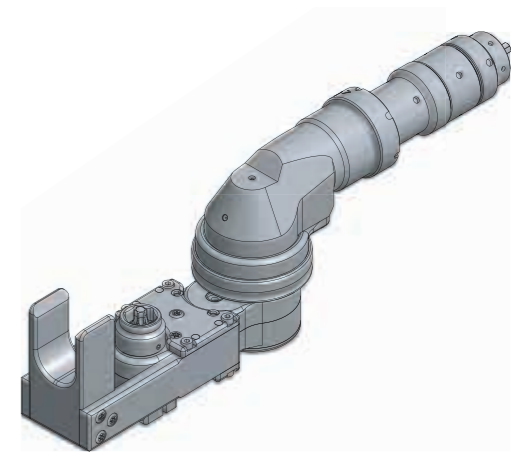
+ Rear axle pivot bearings



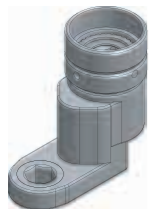
+ Chassis fastening, 270°, indexable counter-holder



+ Chassis stabilizer fastening



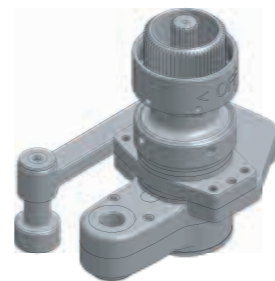
+ Hinge support fastening



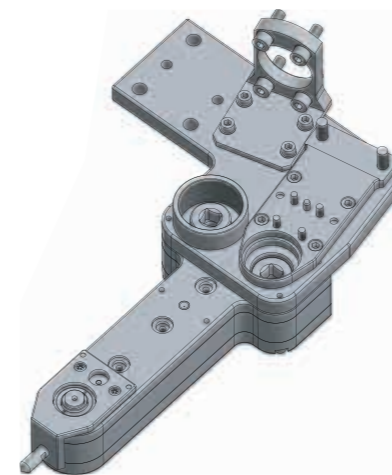
+ Washing drum fastening



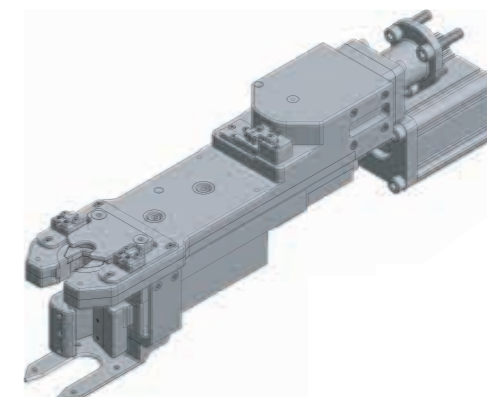
+ Frame fastening



+ Drive shaft fastening



+ Camber adjustment



+ Wheel alignment



+ Underbody tank strape fastening

LSP3


GOOD IDEAS ARE BEST PRODUCED IN SERIES.





COMPACT. ACCURATE. EFFICIENT. THE MODULAR SYSTEM FOR EVERY APPLICATION.




 Gas pipe controller




 Engine high-pressure pump



 Seat assembly



 Fastening at robot applications



 Gearbox fastening




 Wing assembly



 Turbocharger fastening




 Circuit board assembly



 Turbocharger fastening




 Pre-assembly oil-damper



 Steering gear fastening



 Bearing cover fastening



LSP3

**OUR IDEAS TAILORED TO YOUR NEEDS AND DEMANDS:
L.SP3 PROJECTING SET. TRY IT OUT YOURSELF.**



L.SP3 PROJECTING SET: TO MAKE SURE YOU KNOW WHERE YOU ARE HEADING.

The **L.SP3** projecting set offers you an easy and straightforward way of carrying out a feasibility study and with it, maximum confidence in choosing the right product.

Different sets are available for different torques. Each of these sets comes in a high-quality suitcase, containing foam cutouts in which the components are safely stored.

The modular design of the **L.SP3** product series allows many different fastening systems to be configured and assembled out of one projecting set.

It only takes a few steps until you hold a simplified fastening system in your hands and you are then able to check your fastening space easily on your own.

Your advantages:

- + Easy to assemble
- + Simple and fast feasibility study
- + Ensures a correct product choice
- + Realistic demonstration of the product portfolio
- + Individual components made of POM that are high quality CNC milled
- + Modular product series L.SP3
- + Different sets for different torque areas



Set-No.	Torque	Module
Set 01	7–26 Nm	12 22 35
Set 02	27–85 Nm	55 85
Set 03	65–135 Nm	140
Set 04	105–195 Nm	190
Set 05	165–231 Nm	250

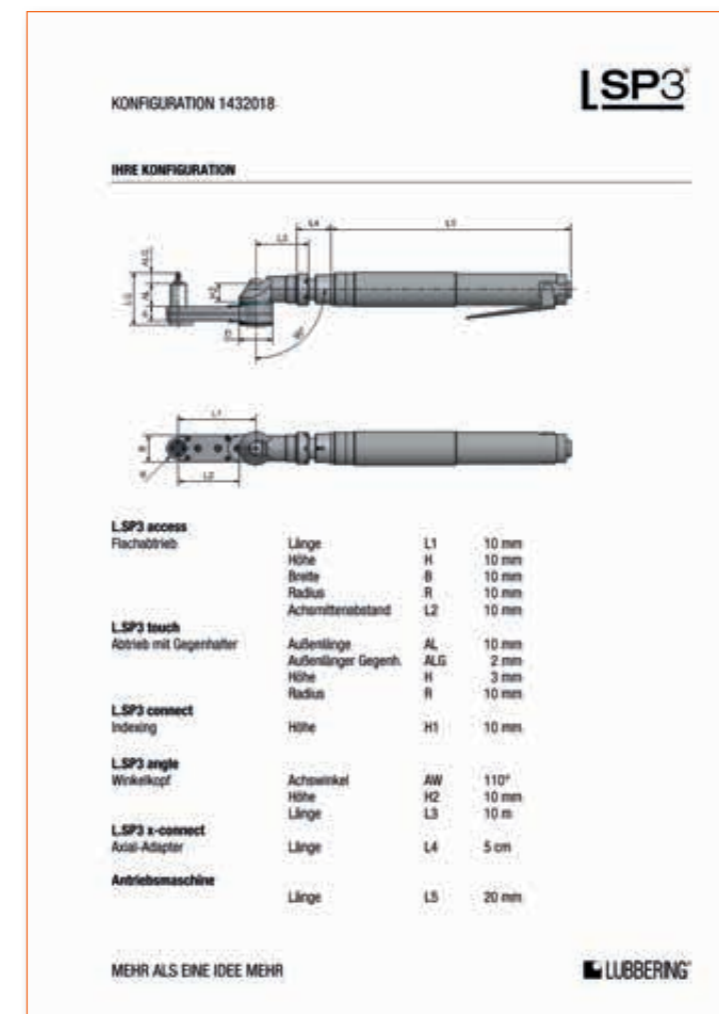
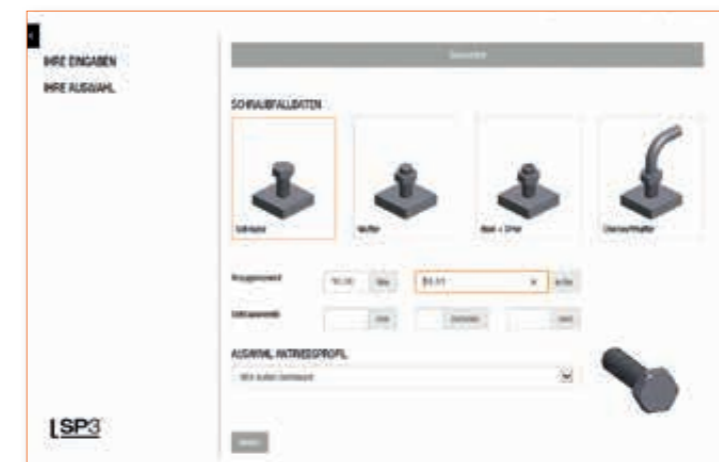




CONFIGURE YOUR PERSONAL L.SP3 SOLUTION.

Angled, complex or extra-tight – the **L.SP3** configurator will help you to find the right tool for any application situation which is still so hard to reach.

- + Entire fastening system configurable: from socket gears to drive units from many manufacturers
- + Available online on mobile devices
- + Own login account
- + Save configurations and call them up at any time
- + Send requests directly from the configurator
- + Easy handling



Please send your configuration directly from the configurator and so request an offer for your fastening system.



“We offer the optimal complete package with services and accessories in the area of fastening technology.”

Marcel Hinkerohe | Service

L.SICO POINT

COLOUR MARKING FOR YOUR APPLICATIONS.

The professional marking system for conspicuous colour marking in manufacturing and quality control.

L.SICOPOINT has been developed to enable trouble-free, economical and process-controlled colour marking of quality fastenings. **L.SICOPOINT** is an efficient system that can be used effectively in many different manufacturing areas and in quality control. Due to its clearly defined interfaces, the **L.SICOPOINT** colour marking system can be easily integrated into your existing manufacturing sequences.

- + Optimum and easy marking
- + Fast installation and comfortable control
- + High application safety
- + Immediate and quick change of marking cartridges
- + No maintenance work



VARI GRIP

ALWAYS HAVE YOUR FASTENING TOOL TO HAND.

L.VARIGRIP stands out due to its simplicity. A tool holder that can be used whenever tools must be available. The patented innovation of the **L.VARIGRIP** is its rotating effect. Variable positions enable several tools to be held in a userfriendly way. A rubber surface prevents the tools from being scratched and guarantees a secure hold. In that way, this LÜBBERING tool holder guarantees the optimum holding of various fastening and mounting tools.

- + Scratching protection through vulcanized surface
- + Stable and robust steel core
- + Easily adjustable for all common fasteners
- + Your tool is always next to you



LSMR

OUR SERVICES CONTAIN CORE VALUES. THESE ENSURE THAT OUR CUSTOMERS GAIN ADDED VALUE.

LÜBBERING products enjoy a worldwide reputation for excellence and provide the highest levels of quality and accuracy. In order to sustain this throughout the entire product lifecycle, LÜBBERING also offers a wide range of services. We are your partner, from the first design idea to the service contract.

In our Product, Application and Maintenance workshops we guide and train our customers and partners in the selection of the product as well as applications. Our experienced and highly-qualified team is always ready to provide professional support.



FOUR PRODUCT CATEGORIES. FOR UNRIVALLED INDIVIDUAL SERVICE.

LSMR concept

Feasibility study | Prototyping | Life cycle simulation | **L.SP3** Projecting set



LSMR tune

Running-in | Trimming | Machine capability analysis



LSMR care

Maintenance agreement | Express repair



LSMR qualify

Product workshop | Application workshop | Maintenance workshop



WE'RE SETTING OFF IN ALL DIRECTIONS FOR YOU – BECAUSE THERE'S ALWAYS ROOM FOR IDEAS.

The **raum für ideen** is aimed at customers, partners and people interested in LÜBBERING. First, we coordinate with you and organise the event at your premises. We send written invitations to your employees and colleagues and provide you with posters for the event which are individually tailored to your needs.

Planning engineers, machine operators and maintenance technicians can see the quality and versatility of LÜBBERING products live in person – like at an exclusive trade fair. They can test fastening solutions at fastening stations and can evaluate a wide spectrum of geared offset heads ranging from our standard **L.SP3** to our sophisticated special geared offset head.

raum für ideen*





www.good-fastening.com

MEHR ALS EINE IDEE MEHR



Johannes Lübbering GmbH
Industriestraße 4
33442 Herzebrock-Clarholz
GERMANY

Fon: +49 (52 45) 83 09-0
Fax: +49 (52 45) 83 09-250
info@luebbering.de
www.luebbering.de

Luebbering (UK) Ltd.
UNITED KINGDOM

Luebbering Corporation
UNITED STATES

Luebbering Tools Trading
(Shanghai) Co., Ltd.
CHINA

